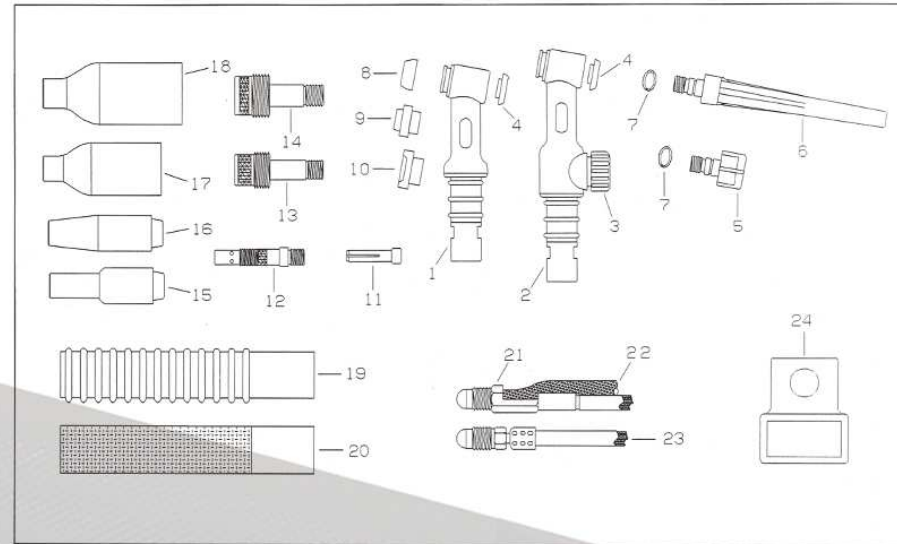


TIG TORCH PACKAGES

26	Torch Body, 200AA/C
26-12-2	Torch Pkg. 200AA/C 12.5', 2 Pc.
26-12-R	Torch Pkg. 200AA/C 12.5', Rubber
26-25-2	Torch Pkg. 200AA/C 25', 2 Pc.
26-25-R	Torch Pkg. 200AA/C 25', Rubber
26F	Torch Body, 200AA/C, Flex-Head
26F-12-2	Torch Pkg. 200AA/C 12.5', Flex-Head, 2 Pc.
26F-12-R	Torch Pkg. 200AA/C 12.5', Flex-Head, Rubber
26F-25-2	Torch Pkg. 200AA/C 25', Flex-Head, 2 Pc.
26F-25-R	Torch Pkg. 200AA/C 25', Flex-Head, Rubber
26FV	Torch Body, 200AA/C, Flex-Head w/ Valve
26FV-12-2	Torch Pkg. 200AA/C 12.5', Flex-Head w/ Valve, 2 Pc.
26FV-12-R	Torch Pkg. 200AA/C 12.5', Flex-Head w/ Valve, Rubber
26FV-25-2	Torch Pkg. 200AA/C 25', Flex-Head w/ Valve, 2 Pc.
26FV-25-R	Torch Pkg. 200AA/C 25', Flex-Head w/ Valve, Rubber
26HP	Torch Body, 200AA/C, Hard Plastic
26HP-12-2	Torch Pkg. 200AA/C 12.5', Hard Plastic, 2 Pc.
26HP-12-R	Torch Pkg. 200AA/C 12.5', Hard Plastic, Rubber
26HP-25-2	Torch Pkg. 200AA/C 25', Hard Plastic, 2 Pc.
26HP-25-R	Torch Pkg. 200AA/C 25', Hard Plastic, Rubber
26HPV	Torch Body, 200AA/C, Hard Plastic w/ Valve
26HPV-12-2	Torch Pkg. 200AA/C 12.5', Hard Plastic w/ Valve, 2 Pc.
26HPV-12-R	Torch Pkg. 200AA/C 12.5', Hard Plastic w/ Valve, Rubber
26HPV-25-2	Torch Pkg. 200AA/C 25', Hard Plastic w/ Valve, 2 Pc.
26HPV-25-R	Torch Pkg. 200AA/C 25', Hard Plastic w/ Valve, Rubber
26V	Torch Body, 200AA/C, w/ Valve
26V-12-2	Torch Pkg. 200AA/C 12.5', w/ Valve, 2 Pc.
26V-12-R	Torch Pkg. 200AA/C 12.5', w/ Valve, Rubber
26V-25-2	Torch Pkg. 200AA/C 25', w/ Valve, 2 Pc.
26V-25-R	Torch Pkg. 200AA/C 25', w/ Valve, Rubber



#	Part #	Description
1	26	Torch Body
	26F	Torch Body, Flex-Head
	26HP	Torch Body, Hard Plastic
2	26V	Torch Body w/ Valve
	26FV	Torch Body, Flex-Head w/ Valve
	26HPV	Torch Body, Hard Plastic w/ Valve
3	VS-1	Valve Stem, Includes 98W77 O-Ring
4	18-7	Insert / Back Insulator
5	57Y04	Short Back Cap
6	57Y02	Long Back Cap
7	98W18	Vback Cap O-Ring
8	18CG	Cup Gasket
9	54N01	Gas Lens Insulator
10	54N63	Large Diameter Gas Lens Insulator
11	Chart A	Collet
12	Chart A	Collet Body

#	Part #	Description
13	Chart A	Gas Lens
14	Chart A	Large Diameter Gas Lens
15	Chart B	Alumina Nozzle
16	Chart B	Lava Nozzle
17	Chart B	Alumina Gas Lens Nozzle
18	Chart B	Large Diameter Gas Lens Nozzle
19	H-200R	Handle, Ribbed
20	H-200	Handle, Smooth
21	46V28-2	2 pc. Power Cable 12 1/2'
	46V30-2	2 pc. Power Cable 25'
22	40V75R	Rubber Gas Hose 12 1/2'
	40V30-2	Rubber Gas Hose 25'
23	46V28R	1 pc. Rubber Power Cable 12 1/2'
	46V30R	1 pc. Rubber Power Cable 25'
	45V30R	Power Cable Adapter
24	SW-1F	Switch

CHART A

#	ELECTRODE DIAMETER	.020" (.5mm)	.040" (1mm)	1/16" (1.6mm)	3/32" (2.4mm)	1/8" (3.2mm)	5/32" (4.0mm)
11	COLLET	10N21	10N22	10N23	10N24	10N25	54N20
12	COLLET BODY	10N29	10N30	10N31	10N32	10N28	406488
13	GAS LENS	45V29	45V24	45V25	45V26	45V27	45V28
14	LARGE DIA. GAS LENS	45V0204	45V0204	45V116	45V64	995795	45V63

CHART B - NOZZLES

#	NOZZLE SIZE	4	5	6	7	8	10	12	SHORT
15	ALUMINA NOZZLE	10N50	10N49	10N48	10N47	10N46	10N45	10N44	
16	LAVA NOZZLE	105Z43	105Z42	105Z44	105Z45	08N78	08N79	08N80	
17	ALUMINA NOZZLE GAS LENS	54N18	54N17	54N16	54N15	54N14			54N19
18	LG. DIAMETER NOZZLE GAS LENS			57N75		57N74	53N88	53N87	53N89
Not Shown	LONG ALUMINA NOZZLE		10N49L	10N48L	10N47L				