

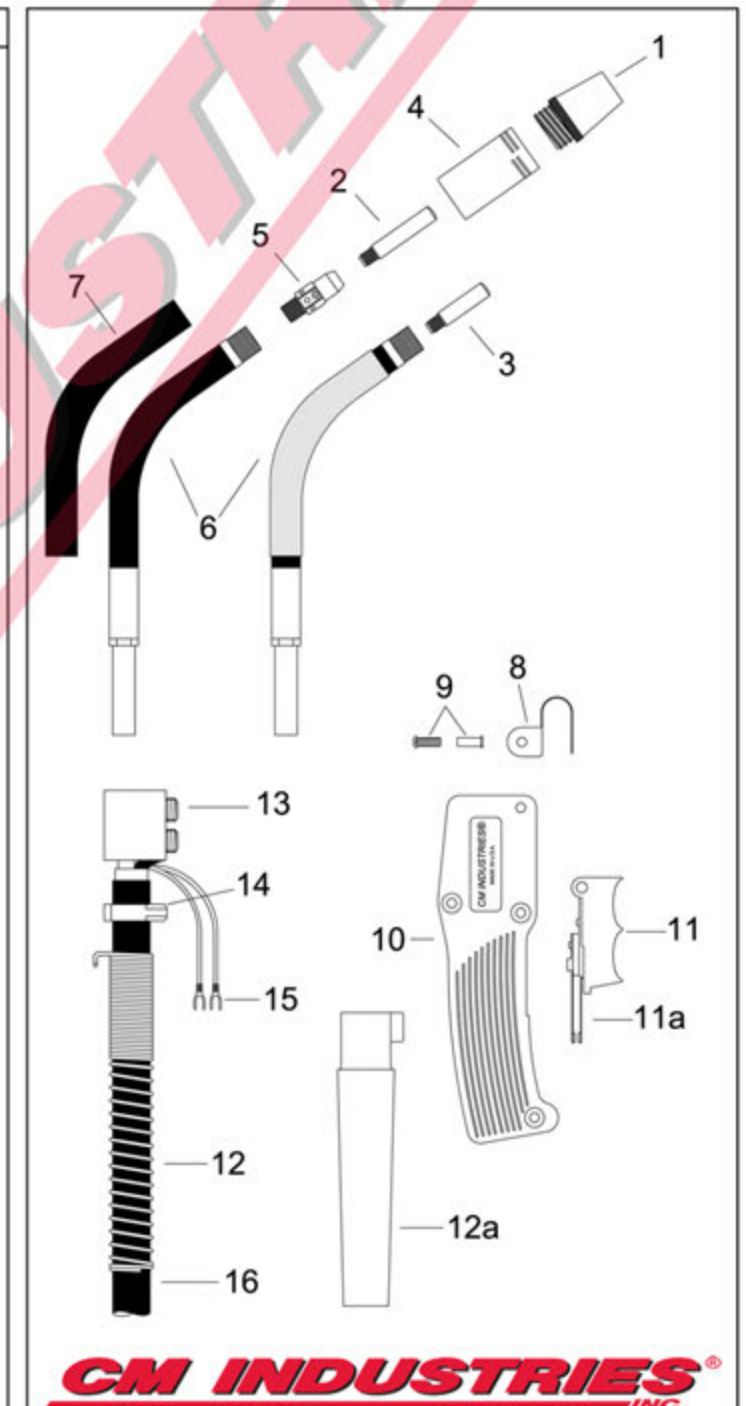
TWC 500

AIR-COOLED MIG GUN

Replacement Suitable for Tweco®

RATING	GUN ORDERING PART NUMBER	GUN PLUG Direct Connect
500 Amp CO2 @ 80% Duty Cycle 375 Amp Mixed Gas @ 80% Duty Cycle Wire Capacity: 0.035" (0.9mm) - 7/64" (2.8mm)	C5xx-116	Tweco® #5
	CX5xx-116	Euro
	CL5xx-116	Lincoln® "LN"
	CLF5xx-116	Linc.® LF/DH10/PowerFeed
	CM5xx-116	Miller®
xx = Standard lengths of 10, 12, 15, 20 and 25 ft. Custom lengths also available.		

#	Part Number	Description
1.	C25CT-50 C25CT-62 C25CT-75	Nozzle, 1/2" I.D. Nozzle, 5/8" I.D., Std. Nozzle, 3/4" I.D.
2.	C15H-35 C15H-40 C15H-45 C15H-52 C15H-116 C15H-564 C15H-332 C15H-764 C15AH-364 C15AH-116	Contact Tip, H.D., .035" 0.9mm Contact Tip, H.D., .040" 1.0mm Contact Tip, H.D., .045" 1.2mm Contact Tip, H.D., .052" 1.4mm Contact Tip, H.D., 1/16" 1.6mm, Std. Contact Tip, H.D., 5/64" 2.0mm Contact Tip, H.D., 3/32" 2.4mm Contact Tip, H.D., 7/64" 2.8mm Contact Tip, H.D., Aluminum, 3/64" Contact Tip, H.D., Aluminum, 1/16"
3.	C15HFC-35 C15HFC-40 C15HFC-45 C15HFC-52 C15HFC-116 C15HFC-564 C15HFC-332 C15HFC-764	Contact Tip, H.D., .035" 0.9mm Contact Tip, H.D., .040" 1.0mm Contact Tip, H.D., .045" 1.2mm Contact Tip, H.D., .052" 1.4mm Contact Tip, H.D., 1/16" 1.6mm Contact Tip, H.D., 5/64" 2.0mm Contact Tip, H.D., 3/32" 2.4mm Contact Tip, H.D., 7/64" 2.8mm
4.	C35CT	Nozzle Insulator
5.	C55SW C55 C55H	Gas Diffuser, Use w/ .035"-1/16", Std. Gas Diffuser, Use w/ 5/64" Gas Diffuser, Use w/ 3/32"-7/64"
6.	C65J-45 C65J-60 C65J-80 C65J-180 C65-45 C65-60 C65-80 C65-180	Conductor Tube, Jacketed, 45° Conductor Tube, Jacketed, 60°, Std. Conductor Tube, Jacketed, 80° Conductor Tube, Jacketed, 180° Conductor Tube, 45° Conductor Tube, 60° Conductor Tube, 80° Conductor Tube, 180°
7.	C75	Neoprene Insulation
8.	C154	Gun Hanger
9.	C124FM	Binder Screw & Post
10.	C85	Handle
11.	C94R	Trigger Switch Assembly
11a.	C94C	Replacement Trigger Blades
12.	C145-6S	Cable Support Spring
12a.	C145-6	Cable Support Rubber - Optional
13.	C104	Cable Connector Block Assembly
14.	C134-16	Power Cable Clamp
15.	C244	Control Wire Terminal
16.	C500-10 C500-12 C500-15 C500-20 C500-25	Power Cable, 10' Power Cable, 12' Power Cable, 15' Power Cable, 20' Power Cable, 25'



CM INDUSTRIES
INC.

COPYRIGHT © 2010 CM INDUSTRIES, INC. ALL RIGHTS RESERVED

#	Part Number	Description
17.	C350R-230-10	Cable Support Spring
18.	C104	Cable Connector Block Assembly
19.	CM170-5H	Connector Plug Adaptor
20.	CM6RC	Round Connector Case
21.	C176S-H	Gun Plug, Tweco #5
22.	C225	O-Ring For #5
23.	C44C	Set Screw
24.	CEL176-MH	Gun Plug, Miller
25.	C224	O-Ring
26.	C175M-N	Conduit Nut, Miller
27.	CEL176-LH	Gun Plug, Lincoln
28.	CMSAK-354	Electrical Plug, Miller
29.	CLAK-354	Electrical Plug, Lincoln
30.	C500-10E	Euro Power Cable, 10'
	C500-12E	Euro Power Cable, 12'
	C500-15E	Euro Power Cable, 15'
	C500-20E	Euro Power Cable, 20'
	C500-25E	Euro Power Cable, 25'
31.	185-40-001	Cable Support Spring
32.	260-52-003	Adaptor Support, Euro
33.	285-01-001	Adaptor Support Screw
34.	290-01-012	Hex Nut, M12
35.	300-05-010	Male Terminal
36.	C174X-2	Adaptor Nut
37.	C174EX-1	Euro-Kwik Adaptor Assembly
38.	C174EX-1G	O-Ring, Euro
39.	C174EX-1C	Conduit Nut, Euro-Kwik
40.	C45-3545-15	Liner Assembly, 15' .035"-.045"
	C45-3545-25	Liner Assembly, 25' .035"-.045"
	C45-116-15	Liner Assembly, 15' .062", Std.
	C45-116-25	Liner Assembly, 25' .062", Std.
	C45-564-15	Liner Assembly, 15' 5/64"
	C45-564-25	Liner Assembly, 25' 5/64"
	C45H-332-15	Liner Assembly, 15' 3/32"
	C45H-332-25	Liner Assembly, 25' 3/32"
	C45H-764-15	Liner Assembly, 15' 7/64"
	C45H-764-25	Liner Assembly, 25' 7/64"
	C45N-3545-15	Nylon Liner Assembly, 15' .035"-.045"
	C45N-116-15	Nylon Liner Assembly, 15' 3/64"-.062"
	C45SN-116-15	Steel/Nylon Liner Assy., 15' .062"
	C45TF-116-15	Teflon Liner Assembly, 15' 3/64"-.062"
41.	Euro Direct Only	
	C44-3545-15	Liner Assembly, 15' .035"-.045", Std.
	C44-3545-25	Liner Assembly, 25' .035"-.045"
	C44-116-15	Liner Assembly, 15' .062"
	C44-116-25	Liner Assembly, 25' .062"
	C44-564-15	Liner Assembly, 15' 5/64"
	C44-564-25	Liner Assembly, 25' 5/64"
	C44N-3545-15	Nylon Liner Assembly, 15' .035"-.045"
	C44N-116-15	Nylon Liner Assembly, 15' .062"

