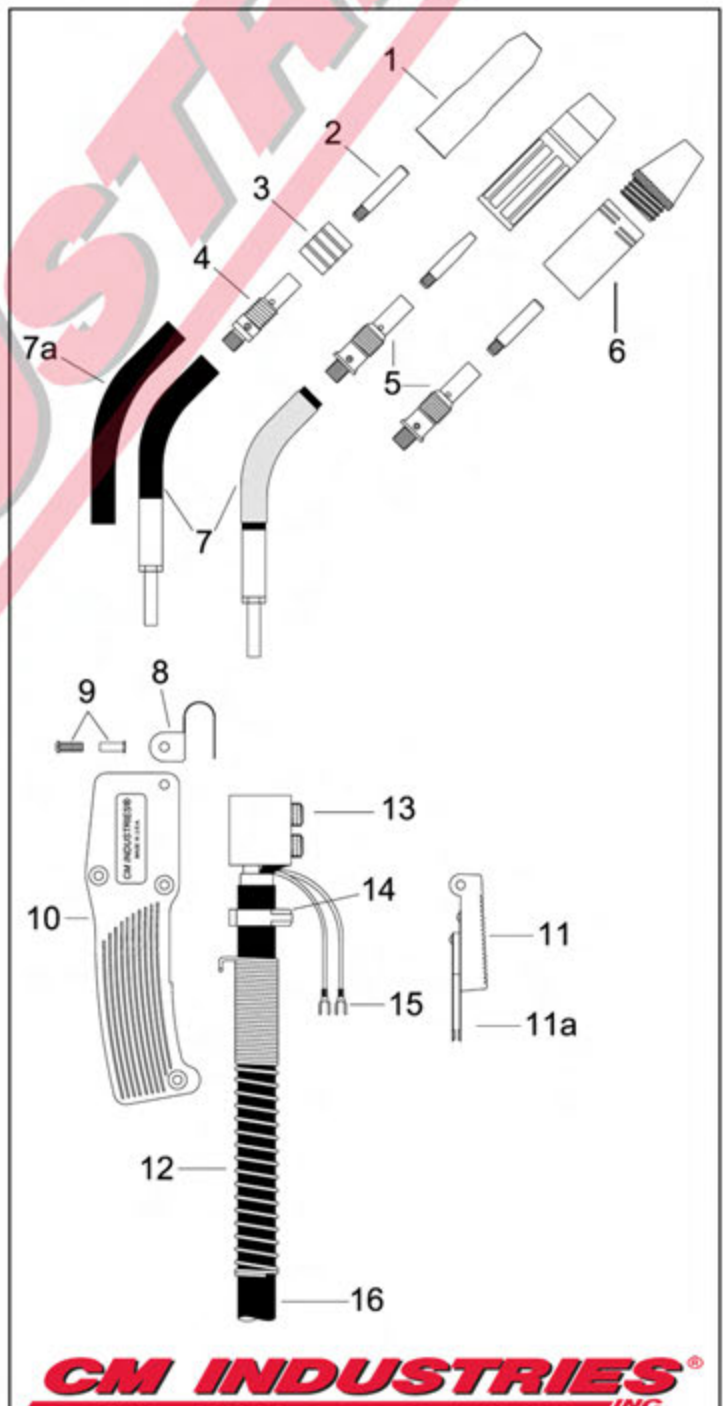


TWC 200 & 250 AIR-COOLED MIG GUN

Replacement Suitable for Tweco®

RATING	GUN ORDERING PART NUMBER		GUN PLUG Direct Connect
	200A	250A	
200-250 Amp CO2 @ 80% Duty Cycle	C2xx-3035 CC2xx-3035 CX2xx-3035	C250-3035-xx CC250-3035-xx CX250-3035-xx	Tweco® #4 Century® Euro Hobart® Lincoln® "LN" Lincoln® W.M./Power MIG® Miller® Panasonic®
160 Amp Mixed Gas @ 80% Duty Cycle	CH2xx-3035 CL2xx-3035 CLPM2xx-3035	CH250-3035-xx CL250-3035-xx CLPM250-3035-xx	
Wire Capacity: 0.023" (0.6mm) - 0.045" (1.2mm)	CM2xx-3035 CP2xx-3035	CM250-3035-xx CP250-3035-xx	
xx = Standard lengths of 10, 12, 15, 20 and 25 ft. Custom lengths also available.			

#	Part Number	Description	
1.	C22-37	Nozzle, 3/8" I.D. Adjustable	
	C22-50	Nozzle, 1/2" I.D. Adjustable, Std.	
	C22-62	Nozzle, 5/8" I.D. Adjustable	
	C22-37-SS	Nozzle, 3/8" I.D. Short Stop	
	C22-50-SS	Nozzle, 1/2" I.D. Short Stop	
	C22-62-SS	Nozzle, 5/8" I.D. Short Stop	
	C22T-37-SS	Nozzle, Tapered, 3/8" I.D. Short Stop	
	C23-37	Nozzle, Self Insulated, 3/8" I.D.	
	C23-50	Nozzle, Self Insulated, 1/2" I.D.	
	C23-62	Nozzle, Self Insulated, 5/8" I.D.	
	C23-75	Nozzle, Self Insulated, 5/8" I.D.	
	C23T-37	Nozzle, Tapered, Self Insulated, 3/8" I.D.	
	C24CT-37-S	Nozzle, Coarse Thread, 3/8" I.D.	
	C24CT-50-S	Nozzle, Coarse Thread, 1/2" I.D.	
	C24CT-62-S	Nozzle, Coarse Thread, 5/8" I.D.	
	C24CT-75-S	Nozzle, Coarse Thread, 3/4" I.D.	
	2.	C14-23	Contact Tip, .023" 0.6mm
		C14-30	Contact Tip, .030" 0.8mm
C14-35		Contact Tip, .035" 0.9mm, Std.	
C14-40		Contact Tip, .040" 1.0mm	
C14-45		Contact Tip, .045" 1.2mm	
C14A-364		Contact Tip, Aluminum, 3/64"	
C14H-35		Contact Tip, H.D., .035" 0.9mm	
C14H-40		Contact Tip, H.D., .040" 1.0mm	
C14H-45		Contact Tip, H.D., .045" 1.2mm	
C14AH-364		Contact Tip, H.D., Aluminum, 3/64"	
C14T-23		Contact Tip, Tapered, .023" 0.6mm	
C14T-30		Contact Tip, Tapered, .030" 0.8mm	
C14T-35	Contact Tip, Tapered, .035" 0.9mm		
C14T-40	Contact Tip, Tapered, .040" 1.0mm		
C14T-45	Contact Tip, Tapered, .045" 1.2mm		
3.	C32	Nozzle Insulator, Std.	
4.	C52	Gas Diffuser, Std.	
5.	C52FN	Gas Diffuser for Fixed Nozzle	
6.	C34CT	Nozzle Insulator	
7.	C62A-45	Conductor Tube, 45°, 200A	
	C62A-60	Conductor Tube, 60°, 200A	
	C62J-45	Conductor Tube, Jacketed, 45°, 250A	
	C62J-60	Conductor Tube, Jacketed, 60°, 250A	
7a.	C72A	Neoprene Insulation	



CM INDUSTRIES
INC.

COPYRIGHT © 2011 CM INDUSTRIES, INC. ALL RIGHTS RESERVED

#	Part Number	Description
8.	C152	Gun Hanger
9.	C122FM	Binder Screw & Post
10.	C83	Handle
11.	C92	Trigger Switch Assembly
11a.	C92C	Replacement Trigger Blades
12.	C142-6S	Cable Support Spring
13.	C102	Cable Connector Block Assembly
14.	C134-16	Power Cable Clamp
15.	C244	Control Wire Terminal
16.	C200-10 C200-12 C200-15 C200-20 C200-25	Power Cable, 10' Power Cable, 12' Power Cable, 15' Power Cable, 20' Power Cable, 25'
17.	C350R-230-10S	Cable Support Spring
18.	CM6RC	Round Connector Case
19.	C350-174H	Gun Plug, Tweco
20.	C224	O-Ring
21.	C44C	Set Screw
22.	C350-174MH	Gun Plug, Miller
23.	C174M-N	Conduit Nut, Miller
24.	C350-174LH	Gun Plug, Lincoln
25.	CMSAK-354	Electrical Plug, Miller & Lincoln Power MIG
26.	CLAK-354	Electrical Plug, Lincoln
27.	C200-10E C200-12E C200-15E C200-20E C200-25E	Euro Power Cable, 10' Euro Power Cable, 12' Euro Power Cable, 15' Euro Power Cable, 20' Euro Power Cable, 25'
28.	185-26-001	Cable Support Spring
29.	260-25-002	Adaptor Support, Euro
30.	285-01-001	Adaptor Support Screw
31.	290-01-012	Hex Nut, M12
32.	300-05-010	Male Terminal
33.	C174X-2	Adaptor Nut
34.	C174EX-1	Euro-Kwik Adaptor Assembly
35.	C174EX-1G	O-Ring, Euro
36.	C174EX-1C	Conduit Nut, Euro-Kwik
37.	C42-23-15 C42-3035-15 C42-3035-25 C42-4045-15 C42-4045-25 C42N-3545-15	Liner Assembly, 15', .023" Liner Assembly, 15', .030"-.035", Std. Liner Assembly, 25', .030"-.035" Liner Assembly, 15', .040"-.045" Liner Assembly, 25', .040"-.045" Nylon Liner Assembly, 15', .035"-.045"

