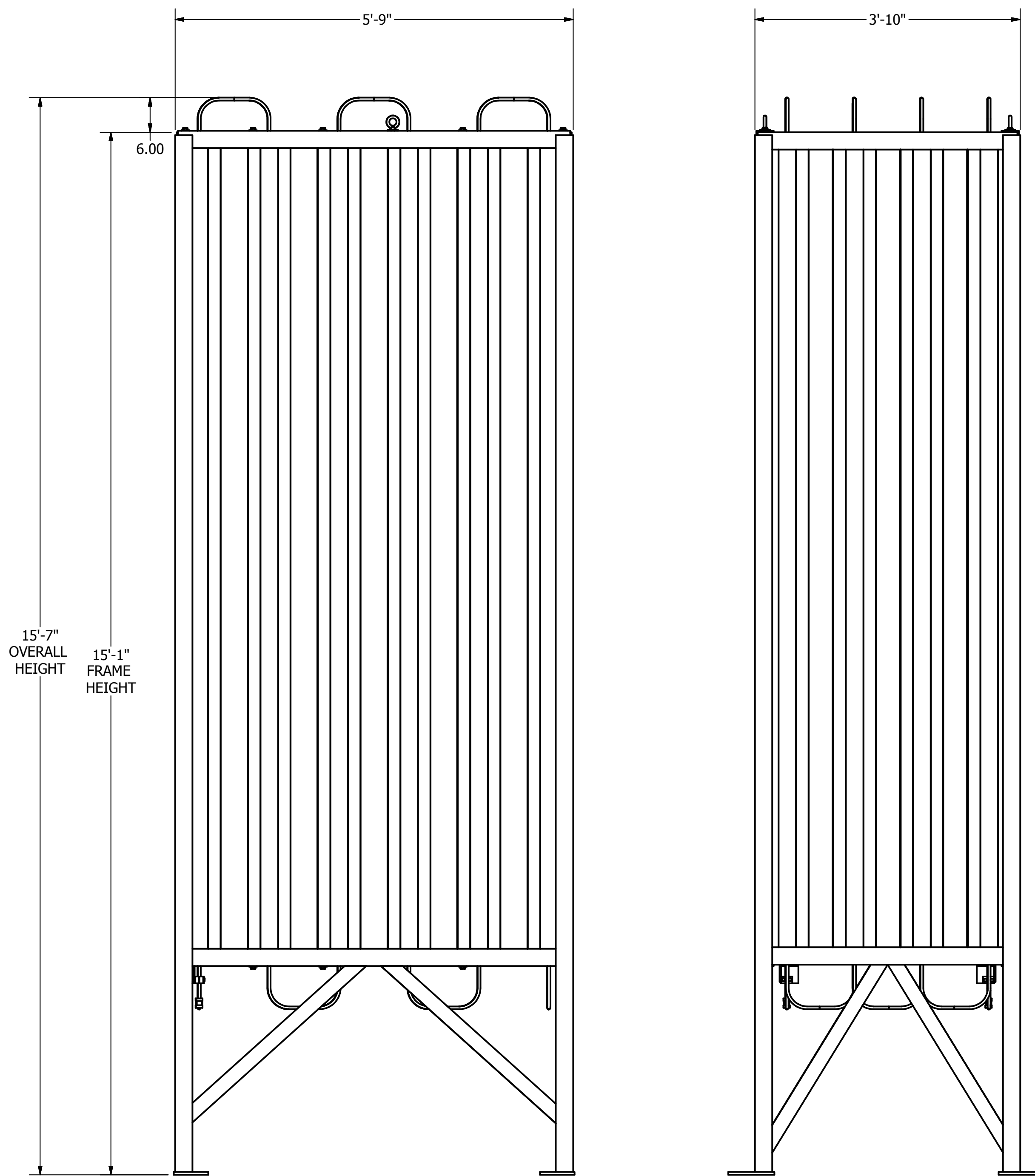


LIFTING RINGS

COUPLINGS, 304SS, 6M, 1/2" O.D. TSW X 1/2" FPT INCLUDED WITH ASSEMBLY

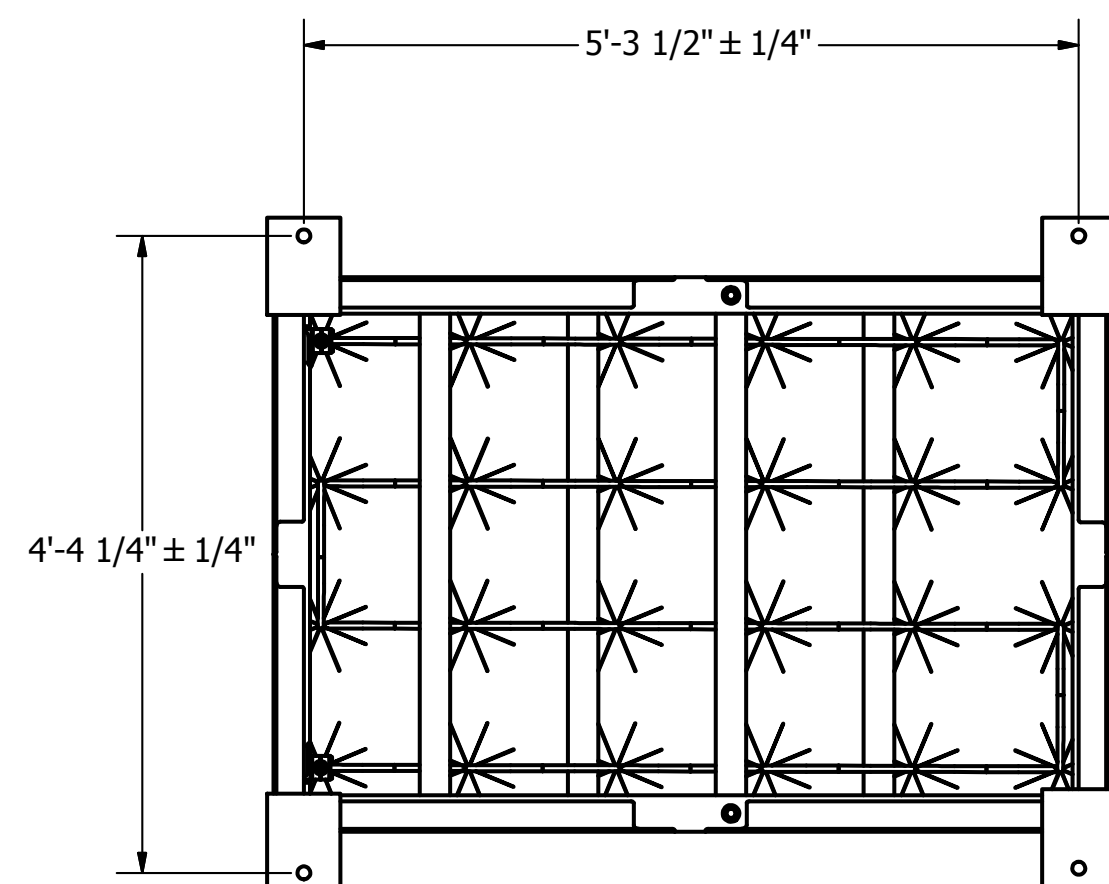
ISOMETRIC VIEW



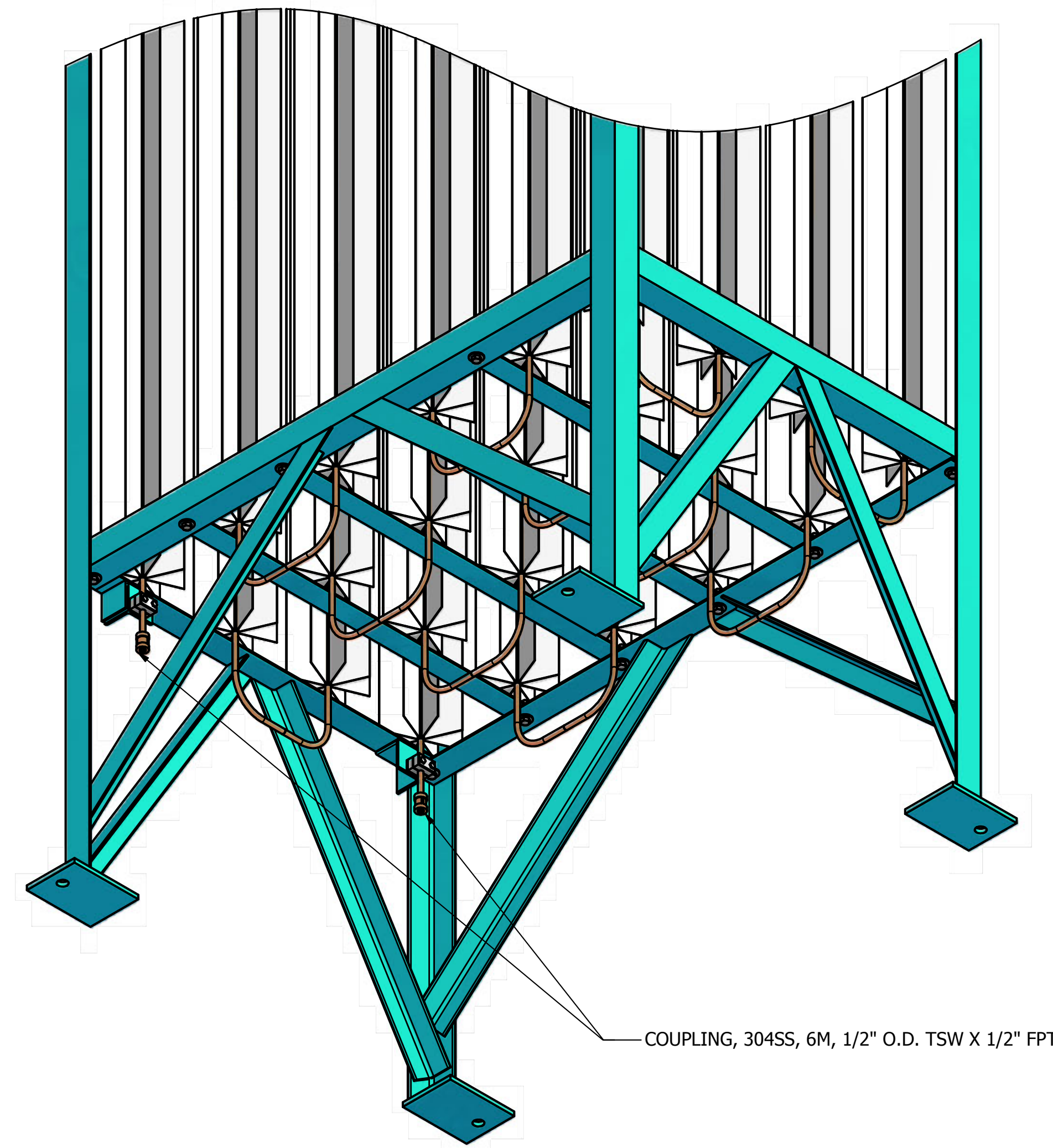
15'-7" OVERALL HEIGHT
15'-1" FRAME HEIGHT

FRONT VIEW

SIDE VIEW



FOUNDATION BOLT PATTERN

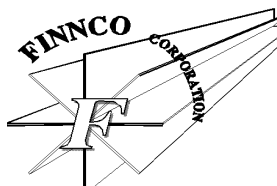


COUPLING, 304SS, 6M, 1/2" O.D. TSW X 1/2" FPT

BOTTOM VIEW FROM FRONT OF UNIT

NOTES:

- 1 - CAPACITY: 20,000 SCFH (@ 70°F & 70% RELATIVE HUMIDITY).
- 2 - MAXIMUM ALLOWABLE WORKING PRESSURES:
3,500 PSIG
4,500 PSIG
6,000 PSIG
- 3 - TEST PRESSURE: 1.5 X MAWP
- 4 - NOMINAL WEIGHT: 1370 LBS.
- 5 - ANCHOR BOLT SIZE: 1"
- 6 - CONNECTIONS: 304 SS COUPLING, 1/2" TSW. X 1/2" FPT.
- 7 - VAPORIZER SHALL BE SHIPPED FROM FACTORY CLEAN FOR OXYGEN SERVICE.
- 8 - VAPORIZER SHALL BE ANCHORED TO A CONCRETE PAD TO AVOID FALLING FROM GUSTS OF WIND BEFORE FINAL INSTALLATION.
- 9 - VAPORIZER SHALL BE INSTALLED IN AN OPEN AREA WHERE SUNLIGHT IS PRESENT FOR BETTER PERFORMANCE.
- 10 - FOUNDATION RECOMMENDATION:
- THE OWNER / INSTALLATION CONTRACTOR IS TO OBTAIN THE SERVICES OF A REGISTERED STRUCTURAL ENGINEER TO PROVIDE A FOUNDATION DESIGN. THE REGISTERED ENGINEER SHALL BE FAMILIAR WITH REGULATORY REQUIREMENTS AT THE INSTALLATION SITE, INCLUDING CONTROLLING BUILDING CODES, SOIL BEARING PRESSURE, CONTROLLING SEISMIC OR WIND CRITERIA, EXTREME FROST PENETRATION, FLOODING, AND OTHER SPECIFIC REQUIREMENTS WHICH APPLY.
- THE FOUNDATION SHOULD BE PROPERLY TESTED, MIXED, INSTALLED AND CURED IN ACCORDANCE WITH CONTROLLING BUILDING CODES AND ACCEPTED CONCRETE DESIGN / CONSTRUCTION CODES PRIOR TO INSTALLATION.

WARNING NOTICE				QUALITY PRODUCTS - SERVICE FINNCO CORPORATION, INC. 1120 INDUSTRIAL BLVD., LOUISVILLE, KY 40219 PHONE # (508) 887-7100, FAX # (508) 754-2254	
THIS DOCUMENT IS THE PROPERTY OF FINNCO CORPORATION, INC. AND IS DELIVERED ON THE EXPRESS CONDITION THAT IT IS NOT TO BE DISCLOSED, REPRODUCED IN WHOLE OR IN PART, OR USED FOR MANUFACTURE FOR ANYONE OTHER THAN FINNCO CORPORATION, INC. WITHOUT ITS WRITTEN CONSENT AND THAT NO RIGHT IS GRANTED TO DISCLOSE OR SO USE ANY INFORMATION CONTAINED IN SAID DOCUMENT.		SCALE: D	SIZE: D	DATE: 10/28/2009	TITLE: VAPORIZER, HIGH PRESSURE, 20,000 SCFH, 24 FINN, 304SS
DRAWN BY: BST	APP'D BY:	DRAWING NUMBER: VP-20SS-24FH-01-FINNCO	REV.:		