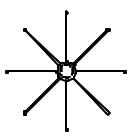
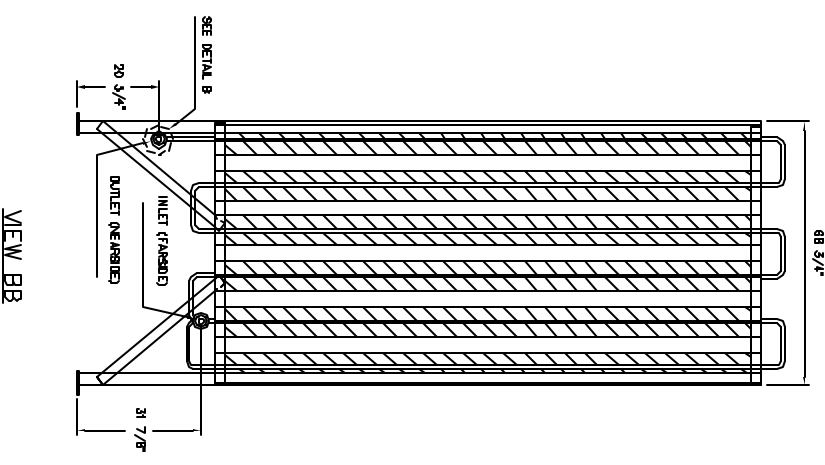


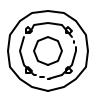
LEG PLATE DETAIL  
1:12



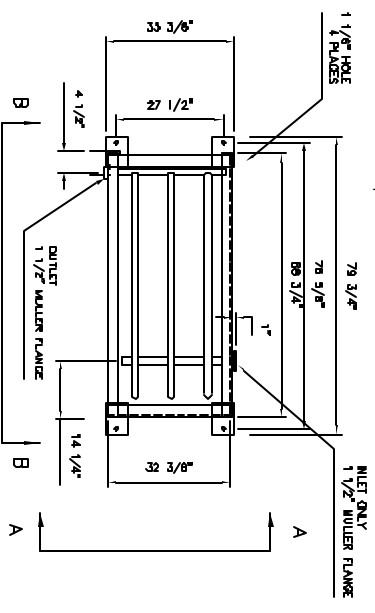
FINN DETAIL  
1:6



VIEW BB



DETAIL B  
INLET / OUTLET FLANGE (see note 6)



PLAN VIEW  
FINN NOT SHOWN FOR CLARITY

NO.	DATE	REVISION
3	1/04/02	REDO WITH DIMENSIONS ACCORDING TO LIST AS SHOWN
2	8/13/01	REDO THE FINE DETAIL AND BUT NOT DIMENSIONS ACCORDING TO AS SHOWN WITH REVISIONS
1	8/7/01	REDO WITH Q1 SIZE TO 21 3/4" AND LISTED PER TO 20 1/2" DIMENSIONS ACCORDING TO AS SHOWN

**WARNING NOTICE**

THIS DOCUMENT IS THE PROPERTY OF  
**FTBA TECHNOLOGIES, INC.**  
 AND IS LOANED TO THE EXPRESS  
 CONDITION THAT IT IS NOT TO BE REPRODUCED,  
 REPRODUCED IN WHOLE OR IN PART, OR  
 USED FOR MANUFACTURE FOR ANYONE  
 OTHER THAN THE TECHNOLOGIES WITHOUT  
 ITS WRITTEN CONSENT AND THAT NO RIGHT  
 IS GRANTED TO DISCLOSE OR SO USE ANY  
 INFORMATION CONTAINED IN SAID DOCUMENT

**QUALITY PRODUCTS - SERVICE**  
**FTBA TECHNOLOGIES, INC.**  
 677 THUNDER BOWL, WESTBORO, MA, USA  
 PHONE: 4 (978) 266-3377, FAX: 9 (978) 266-1818

SIZE	NO. OF FINNS	NO. OF LEGS	NO. OF BOLTS
15AL	6	4	6
15AL-18F	6	4	6

MODEL: 15AL/18F - 15,000 SCFH

VP-15AL-18F-01

- Notes:
- Capacity: 15,000 SCFH (@ 70°F & 70 % relative humidity).
  - Maximum Allowable Working Pressure: 500 psig.
  - Test Pressure: 750 psig.
  - Nominal Weight: 1370#.
  - Anchor Bolt Size: 1".
  - Connectors: 1 1/2" FLANGES.
  - Vaporizer shipped from factory clean for Oxygen service.
  - Vaporizer shall be anchored to a concrete pad to avoid falling from gusts of wind before final installation.
  - Vaporizer shall be installed in an open area where sunlight is present for better performance.
  - Foundation Recommendation:
- The owner / installation contractor is to obtain the services of a registered structural engineer to provide a foundation design. The registered engineer shall be familiar with regulatory requirements at the installation site, including controlling building codes, soil bearing pressure, controlling seismic or wind criteria, extreme frost penetration, flooding, and other specific requirements which apply.
- The foundation should be proportioned, tested, mixed, installed and cured in accordance with controlling building codes and accepted concrete design / construction codes prior to installation.