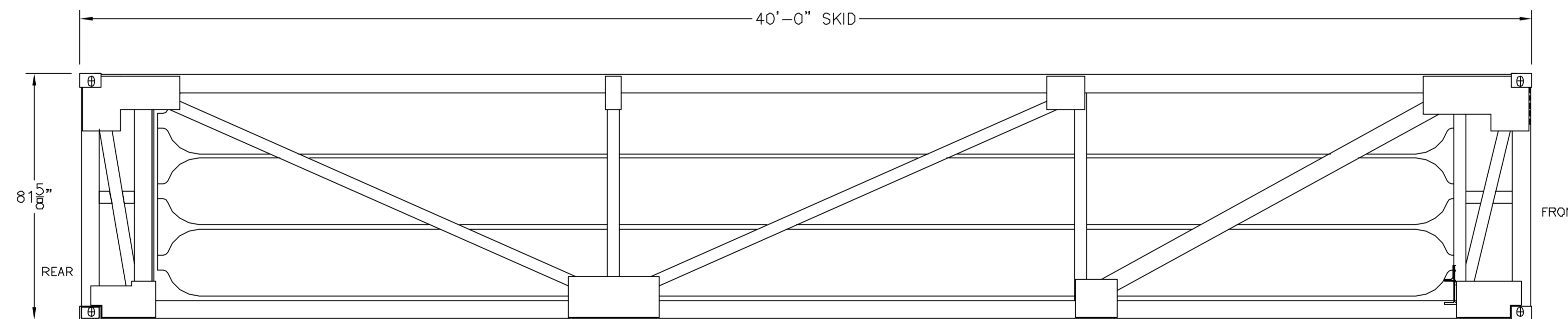
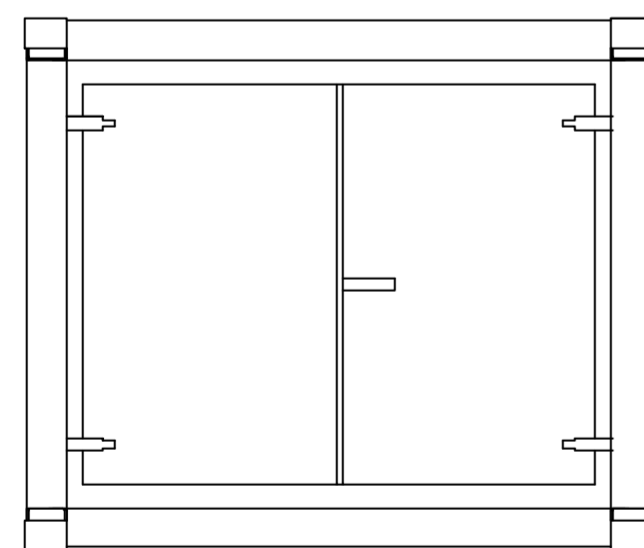


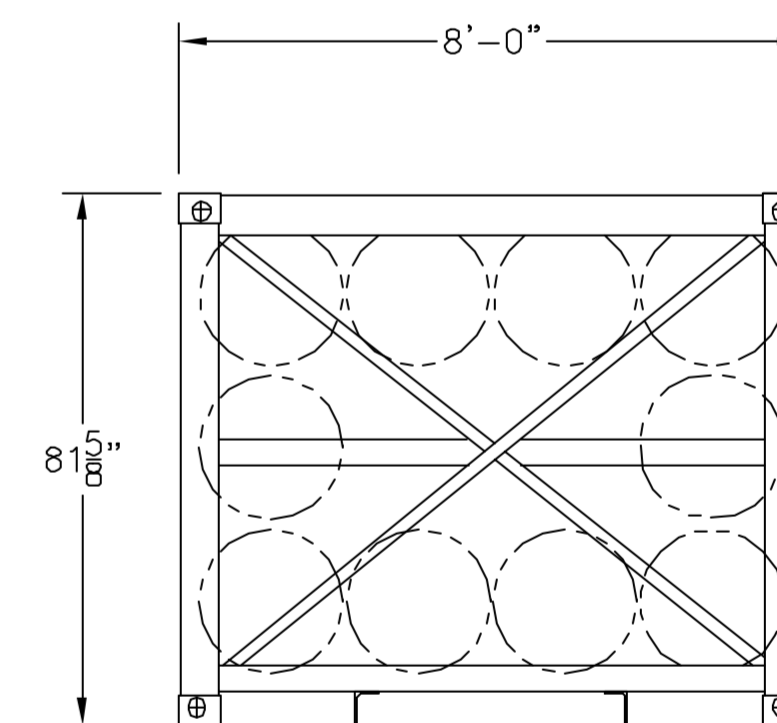
TOP VIEW



SIDE VIEW



REAR VIEW



FRONT VIEW

<p>WARNING NOTICE</p> <p>THIS DOCUMENT IS THE PROPERTY OF FIBA TECHNOLOGIES, INC. AND IS DELIVERED ON THE EXPRESS CONDITION THAT IT IS NO TO BE DISCLOSED, REPRODUCED IN WHOLE OR IN PART, OR USED FOR MANUFACTURE FOR ANYONE OTHER THAN FIBA TECHNOLOGIES WITHOUT ITS WRITTEN CONSENT AND THAT NO RIGHT IS GRANTED TO DISCLOSE OR SO USE ANY INFORMATION CONTAINED IN SAID DOCUMENT.</p>		<p>QUALITY PRODUCTS - SERVICE</p> <p><b>FIBA</b> FIBA TECHNOLOGIES, INC. 97 TURNPIKE ROAD, WESTBROOK, MA 01581 PHONE # (508) 368-8361, FAX # (508) 368-1915</p>	
SCALE	SIZE	REV. NO	DATE
NTS	D		07/20/04
TITLE		DRAWING NUMBER	
FIBA 10 TUBE 40' x 8' x 81.625" GENERAL ARRANGMENT		SK-10-40-FIB-04	
OWNED BY	APPROVED BY	DATE	REV
K.GLEEZEN			0

No	DATE	BY	REVISIONS