



Technical Index

Transfer Pump GBS



★ Pump ID Meaning

GBS 155 / 4.5
(model) (impeller Ø in mm) (impeller tip width)

Applications	Stationary pump for liquid transfer
	Road tankers
Liquids pumped	LOX, LIN, LAr, LCO ₂ , LN ₂ O et LNG
Drive type	Gearbox
Design pressure	28 bar standard (406 psi)
	40 bar for CO ₂ version (580 psi)



★ Test Procedure

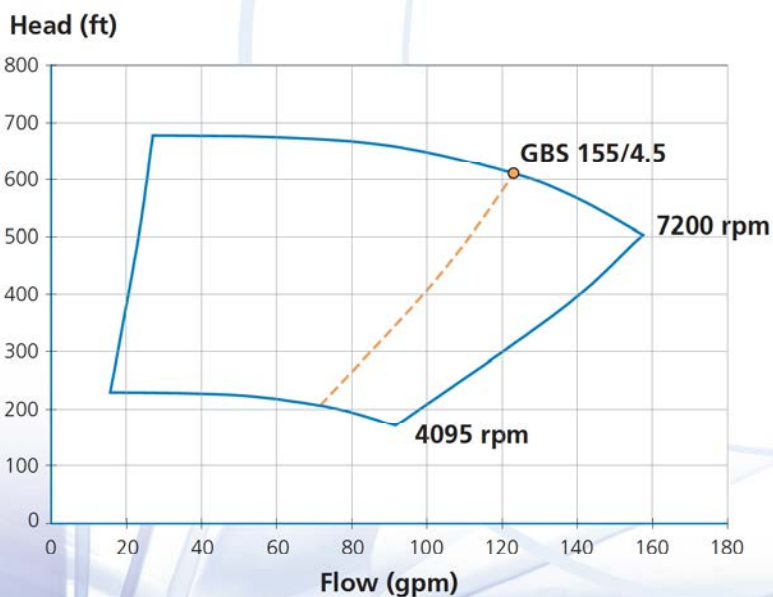
Each pump manufactured by CRYOSTAR is mechanically and cryogenically tested prior to shipment in our state-of-the-art testing facility to ensure that performance meets customer specification. The precision of measuring devices provides essential results : differential head, flow rate, seal gas consumption, pump efficiency, NPSH, noise and vibration levels - all documented and submitted to the customer.

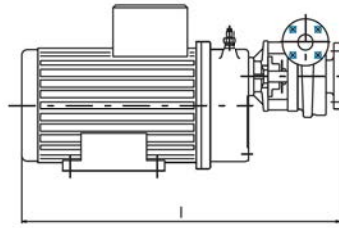
★ Quality

Designed in compliance with guidelines like IGC 11/82 norm

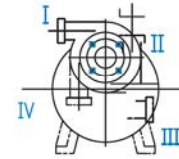


★ Performance





Possible arrangements



	KW		Motor frame	I	F	B
	50hZ	60hZ				
GBS 155/4.5	22	25	180	878.5	324	431.5

★ Features

- 1 Front opening of housing : easy and reliable replacement of mechanical seal without the need for readjustment of the run-out
- 2 CRYOSTAR composite mechanical seal (4 times longer life time than carbon seals)
-> for CO2 application : special CRYOSTAR high pressure mechanical seal
-> for a long life application : CRYOSTAR gas seal
- 3 High hydraulic efficiency closed impeller
- 4 Helical inducer allowing low required NPSH
- 5 Splash lubricated gearbox with oxygen compatible oil
- 6 Helicoidal gearwheels for low noise level

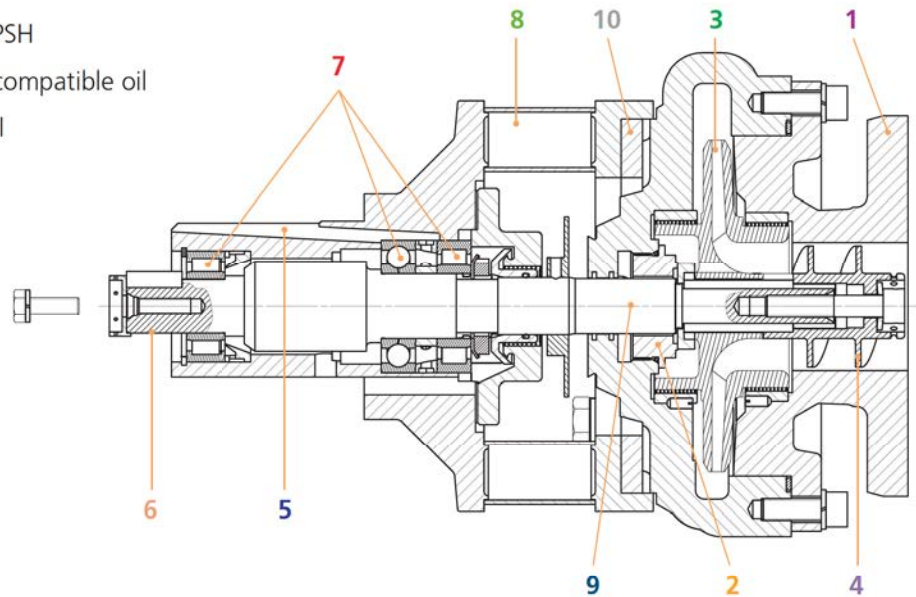
- 7 Pump support with 3 bearings :
2 for radial thrust and 1 for radial and axial thrust

Permacold barrier consisting of:

- 8 4 hollow arms open intermediate piece between the volute and the motor
- 9 Hollow shaft reducing thermal conductivity to a minimum
- 10 Thick insulation plate providing low thermal conductivity

★ Options

- ★ Differential pressure switch
- ★ Cool down temperature probe
- ★ Leak detection temperature probe
- ★ Purged seal
- ★ Purged gearbox
- ★ Complete skid mounted assembly



For more details please contact your local Cryostar representative



CRYOSTAR France	tel : +33 (0) 3 89 70 27 27	info@cryostar.com
CRYOSTAR USA East	tel : 1-800-483-1052	usa@cryostar.com
CRYOSTAR USA West	tel : +1 (562) 903-1290	usa@cryostar.com
CRYOSTAR UK	tel : +44 1709 702 777	uk@cryostar.com
CRYOSTAR China	tel : +86 571 8536 8331	china@cryostar.com
CRYOSTAR Singapore	tel : +65 6276 7441	singapore@cryostar.com
CRYOSTAR Automation	tel : +33 (0) 5 65 80 20 20	info@cryostar.com