



VS-DSS Series

Distributor Storage System



Chart's **VS-DSS Series** of vertical bulk storage stations are engineered for superior performance, durability and value. Equipped with Super Insulation, a light-weight system offering better thermal performance than Perlite, **VS-DSS Models** provide reduced product losses and a slower rate of pressure rise during periods of non-use, while backing up this performance with a competitive 2-year warranty.

The modular piping system on our cryogenic tanks was also pioneered by MVE, with user-friendly bronze valve manifolds and separate economizer and pressure building regulators coming standard on our models. All of this means fewer plumbing joints and lower maintenance costs for you.

Now available in the 525, 900, 1500 and 3000 gallon (1987, 3407, 5678 and 11,356 liter) models, these new **VS-DSS Models** feature an industry-standard thermal performance. The modular plumbing system has been selectively optimized to meet the flow requirements of a complete range of liquid or gas applications. While including a comprehensive set of plumbing features, each circuit has been carefully designed to match the demands placed on these vessel sizes. To improve your flexibility at time of purchase, dual safety-relief devices are now standard, along with tank mounted vaporizers on the 525, 900 and 1500 gallon sizes. Interchangeable gauge systems allowing your choice of analog or digital-telemetry capable gauge systems with flexible stainless steel interconnecting lines are also available. These **VS-DSS Models** also can be configured to meet your particular needs, which results in a complete design that makes the **VS-DSS Series** the ideal choice for your small bulk applications.

VS-DSS Series

Model	VS-525-DSS	VS-900-DSS	VS-1500-DSS	VS-3000-DSS	VS-6000-DSS
Gross Capacity (gal/Liters)	540/2,044	929/3,517	1,585/5,999	3,158/11,995	6,075/22,997
Nominal Capacity (gal/Liters)	491/1,859	845/3,197	1,509/5,714	3,037/11,495	5,841/22,112
Working Pressure (psig/bar)	250/17.2	250/17.2	250/17.2	250/17.2	250/17.2
Diameter (in/mm)	66/1,676	66/1,676	66/1,676	86/2,184	86/2,184
Height (in/mm)	102/2,591	134/3,404	188/4,763	228/5,791	382/9,703
Weight* (lbs/kg)	4,000/1,814	5,100/2,313	6,900/3,130	13,500/6,123	24,500/11,113
NER (% /day in O ₂)	.55	.45	.35	.25	.15
Flow Capability (SCFH/nm ³ /Hr)	9,000/237	9,000/237	9,000/237	18,000/473	18,000/473

* Weights are for ASME designs (NER) = Nominal Evaporation Rate
Flow capability rating down to a 20% contents level with a maximum fall off in tank operating pressure of 15psi (1 bar).

Nomenclature

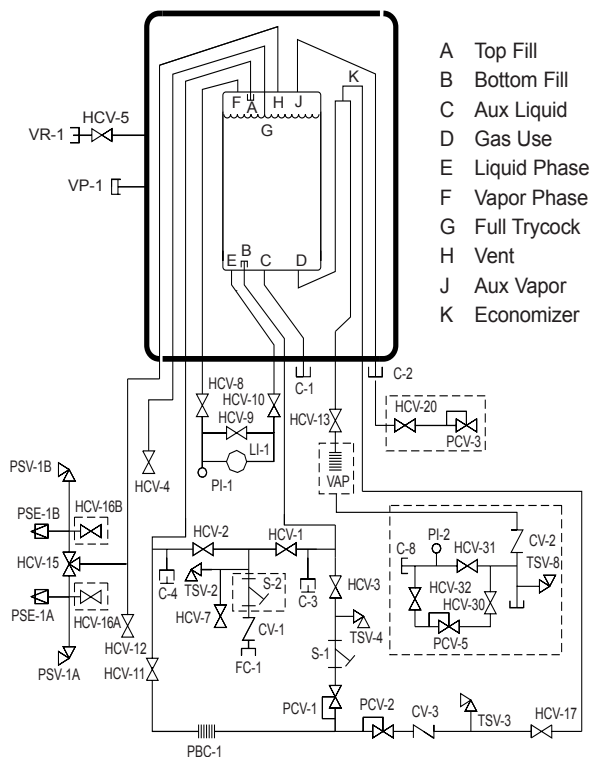
C-1	Connection, Aux Liquid	PSV-1B	Pressure Safety Valve, Inr Ves
C-2	Connection, Aux Vapor	S-1	Strainer, Pressure Building
C-3	Connection, Secondary Aux Liq	TSV-2	Thermal Safety Valve, Fill
C-4	Connection, Secondary Aux Vapor	TSV-3	Thermal Safety Valve, Economizer
CV-1	Check Valve, Fill	TSV-4	Thermal Safety Valve, PB Circuit
CV-3	Check Valve, Economizer	VP-1	Vacuum Port
FC-1	Connection Fill	VR-1	Vacuum Readout, Outer Vessel
HCV-1	Valve, Bottom Fill		
HCV-2	Valve, Top Fill		
HCV-3	Valve, PB Inlet		
HCV-4	Valve, Full Trycock		
HCV-5	Valve, Vacuum Gauge Tube		
HCV-7	Valve, Fill Line Drain		
HCV-8	Valve, LI-1 Vapor Phase		
HCV-9	Valve, LI-1 Equalization		
HCV-10	Valve, LI-1 Liquid Phase		
HCV-11	Valve, PB Outlet		
HCV-12	Valve, Vapor Vent		
HCV-13	Valve, Vaporizer Inlet		
HCV-15	Safety Relief Selector Valve		
HCV-17	Valve, Economizer		
LI-1	Level Indicator, Inner Vessel		
PBC-1	Pressure Building Coil, Inr Ves		
PCV-1	Pressure Control Valve, Inr Ves		
PCV-2	Pressure Control Valve, Econo		
PI-1	Pressure Indicator, Inner Vessel		
PSE-1A	Pressure Safety Element, Inr Ves		
PSE-1B	Pressure Safety Element, Inr Ves		
PSV-1A	Pressure Safety Valve, Inr Ves		
PSV-1B	Pressure Safety Valve, Inr Ves		
S-1	Strainer, Fill		
TSV-2	Thermal Safety Valve, Fill		
TSV-3	Thermal Safety Valve, Economizer		
TSV-4	Thermal Safety Valve, PB Circuit		
VP-1	Vacuum Port		
VR-1	Vacuum Readout, Outer Vessel		
VAP	Vaporizer, Product Withdrawal		

NOTE: Optional valves (not shown)

HCV-18	Valve, Liquid W/drawal (from C-1)
HCV-19	Valve, Vapor Return (from C-2)
HCV-21	Valve, Sec Aux Liquid (from C-3)
HCV-22	Valve, Sec Aux Vapor (from C-4)

* Dashed lines represent optional components

C-8	Connection, Customer Houeline
CV-2	Check Valve, Houeline
HCV-16A	Valve, Relief Line Purge
HCV-16B	Valve, Relief Line Purge
HCV-20	Valve, Economizer Vent
HCV-30	Valve, Inlet Houeline
HCV-31	Valve, Bypass Houeline
HCV-32	Valve, Outlet Houeline
PCV-3	Pressure Control Valve, Econo Vent
PCV-5	Pressure Control Valve, Houeline
PI-2	Pressure Indicator, Houeline
S-2	Strainer, Fill
TSV-8	Thermal Safety Valve, Houeline
VAP	Vaporizer, Product Withdrawal



Dashed lines indicate optional equipment.



Chart Industries Inc., Storage Systems Division, 3505 County Road 42 West, Burnsville, MN 55306-3803
 Web: www.chart-ind.com; E-mail: storagesystems@chart-ind.com
 US: 800-400-4683, FAX: 952-882-5191; Worldwide: 952-882-5090; FAX: 952-882-5008
 Chart Europe GmbH: +49 (0)212-700 570, FAX: +49 (0)212-700 577; Chart Asia Inc.: 65-838-5209, FAX: 65-235-3680