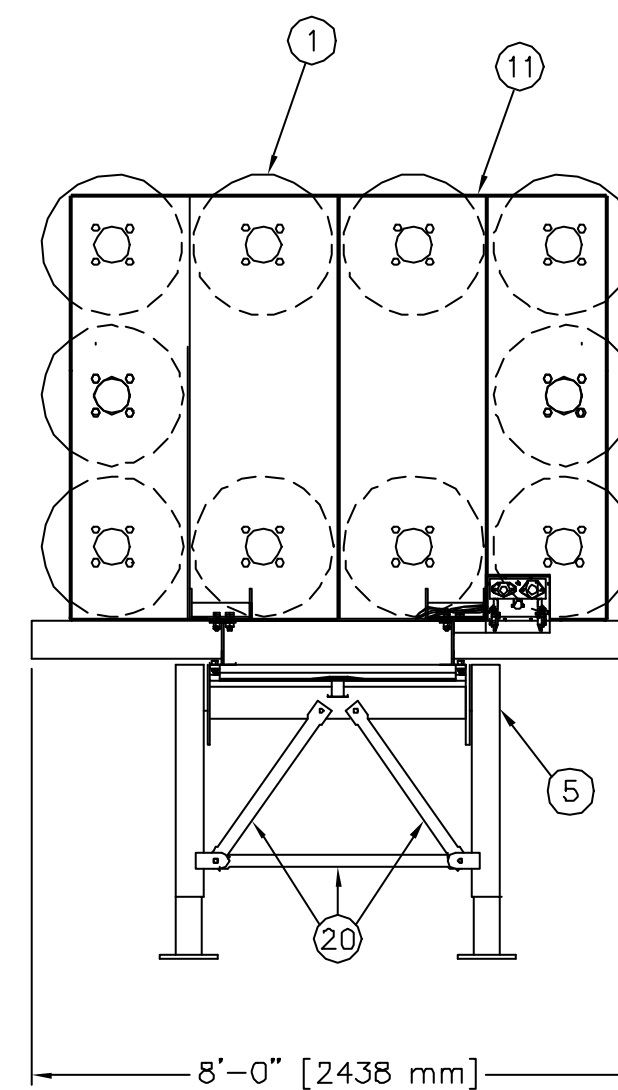


REAR VIEW



FRONT VIEW (A-A)
(CHASSIS AND TUBES)

BILL OF MATERIAL			
ITEM	QTY.	PART NO.	DESCRIPTION
1	10		TUBES, DOT 3T-2850, 22" (559 mm) OD. x 40' (1,219 cm) LG., 0.492" (12.5 mm) WALL THK., 5,150 LBS. (2,336 kg) AVERAGE WEIGHT, 91.8 CU. FT. (2,599.5 l) NOMINAL WATER VOLUME
2	2		AXLES, ARVIN-MERITOR PART NO. TN-4671QR1250
3	1		SUSPENSION SYSTEM, HUTCHENS CH9600T, UN/MT, 5RD, 1.25 SERIES W/35400 SPRINGS
4	8		TIRES, LOW PROFILE TUBELESS RADIALS, BRIDGESTONE PART NO. R-194, 295/75R-22.5
5	1		LANDING GEAR, BOLTED HOLLAND HITCH, MARK 5, 2 SPEED, HEAVY DUTY MODEL W/12" x 12" SAND SHOES AND LONG CRANK HANDLE.
6	1		KINGPIN, HOLLAND HITCH PART NO. KP-T-809-F, WELDED ON
7	1		FIFTH WHEEL PLATE, BOLT ON, 3/8" THK., A36 CARBON STEEL
8	1		CHASSIS, MAIN RAIL, W12 x 16#/FT, 42' LG. A-588 STEEL I-BEAM
9	2		FENDERS, REAR, FORMED ALUMINUM
10	1		BULKHEAD, REAR, 3/8" THK. T1 CARBON STEEL
11	1		BULKHEAD, FRONT, 5/16" THK. A36 CARBON STEEL
12	2		MUDFLAPS, ANTI-SAIL
13	1		ELECTRICAL SYSTEM, BETTS LED HEAVY DUTY, 7 WIRE SAFETY LAMP SYSTEM, INCLUDING JUNCTION BOX
14	1		HUBODOMETER, VEEDER ROOT, MOUNTED ON THE ROAD SIDE ON THE LEFT FRONT WHEEL.
15	8		STEEL WHEELS, HUBS, AND DRUMS, ARVIN-MERITOR PART NO. 14-15857-114X30, STEELITE X30, ONE PIECE, STEEL-SHELLED, OUTBOARD-MOUNTED CAST BREAK DRUMS W/STEEL 10 STUD x 11.25 BC HUBS WITH STUDS FOR HUB-PILOTED, DUEL STEEL WHEELS, SIZE 11-22.5.
16	1		MERITOR (ABS) BRAKING SYSTEM
17	1		ICC BUMPER
18	1		REAR CABINET, ALUMINUM WITH (4) STEEL HINGES AND 3 POINT LOCKING DEVICE
19	8		TUBE STRAPS, FIBA PART NO. SJ-12-40-WM-06
20	5		LANDING GEAR SUPPORT BRACKETS

NOTES:

- 1 - PRODUCT: HELIUM.
- 2 - TUBES: DOT 3T-2850, 22" (559 mm) OD. x 40' (12,192 mm) LG. x 0.492" (12.5 mm) MIN. WALL, 91.8 CU. FT. (2,600 l) NOMINAL WATER VOLUME, 5,150 LBS. (2,336 kg) AVERAGE WEIGHT, A 372 STEEL.
- 3 - PAYLOAD: APPROX. 178,618 SCF (5,058 CU. m) (1,874 LBS.) (850 Kg) OF HELIUM AT 3,135 PSIG (216 BARG) (DESIGN PRESSURE + 10% OVERFILL).
- 4 - WEIGHT SPECIFICATIONS:
 - TRAILER CHASSIS: 9,603 LBS. (4,356 Kg).
 - TUBES: 50,580 LBS. (22,943 Kg).
 - TARE: 60,183 LBS. (27,298 Kg).
 - TOTAL: 62,057 LBS. (28,148 Kg).
- 5 - TRAILER DIMENSIONS:
 - CHASSIS LENGTH: 44' (13,411 mm).
 - WIDTH: 8' (2,438 mm).
 - HEIGHT: 10'-6" (3,200 mm).
- 6 - REAR STAIRS NOT SHOWN FOR CLARITY.
- 7 - MOISTURE LEVEL ≤ 20 PPM.

WARNING NOTICE

THIS DOCUMENT IS THE PROPERTY OF FIBA TECHNOLOGIES, INC. AND IS DELIVERED ON THE EXPRESS CONDITION THAT IT IS NO TO BE DISCLOSED, REPRODUCED IN WHOLE OR IN PART, OR USED FOR MANUFACTURE FOR ANYONE OTHER THAN FIBA TECHNOLOGIES WITHOUT ITS WRITTEN CONSENT AND THAT NO RIGHT IS GRANTED TO DISCLOSE OR SO USE ANY INFORMATION CONTAINED IN SAID DOCUMENT.

QUALITY PRODUCTS - SERVICE
FIBA TECHNOLOGIES, INC.
87 TURNPIKE ROAD, WESTBORO, MA 01581
PHONE # (508) 386-8361, FAX # (508) 386-1815

SCALE: NTS, SIZE: D, REV. NO: , DATE: , BY: , DATE: 10/04/04

TITLE: 10 TUBE HELIUM SUPERJUMBO TRAILER GENERAL ARRANGEMENT T-COM

DRAWN BY: K.GLEEZEN, APPROVED BY: , DRAWING NUMBER: SJ-10-HE-TCOM-01, REV: 0

No	DATE	BY	REVISIONS